

LB1-BW12-x Bi-Directional Cabinet Loudspeaker



Security Systems



- Good speech intelligibility and background music reproduction
- Wedge shaped design
- Finished in white or black
- MDF construction
- Complies with international installation and safety regulations

The 12 W bi-directional cabinet loudspeakers are intended for good speech intelligibility and background music reproduction in general purpose indoor applications like restaurants, shops, offices and schools.

Functions

The robust, solid MDF (Medium Density Fiber board) enclosures are covered with a durable, easy-to-clean vinyl in a choice of white or black.

The ABS fronts are covered with fine woven cloth in matching color.

The cabinets are fitted with two dual cone loudspeaker drivers, mounted on a angled baffle, providing a wide opening angle.

This model is intended for use for example in long corridors and shopping arcades.

Parts Included

Quantity	Component
1	bi-directional cabinet loudspeaker

Certifications and Approvals

All Bosch loudspeakers are designed to withstand operating at their rated power for 100 hours in accordance with IEC 268-5 Power Handling Capacity (PHC) standards. Bosch has also developed the Simulated Acoustical Feedback Exposure (SAFE) test to demonstrate that they can withstand two times their rated power for short durations. This ensures extra reliability under extreme conditions, leading to higher customer satisfaction, longer operating life, and much less chance of failure or performance deterioration.

Safety acc. to EN 60065

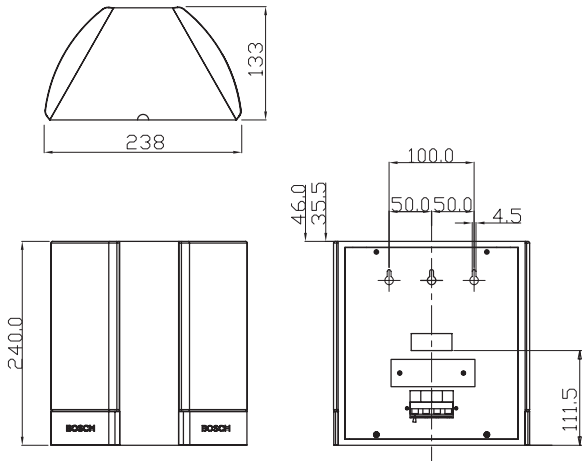
Installation/Configuration Notes

Three keyholes in the rear panel are provided for easy and quick wall mounting.

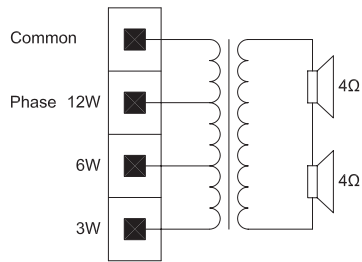
A convenient easy-to-use, 4-pole push-in terminal block is present on the rear panel for on-site wiring. This terminal block has provision for power tapping on the 100 V matching transformer in the cabinet. It allows selection of nominal full-power, half-power or quarter-power radiation (i.e. in 3 dB steps)

BOSCH

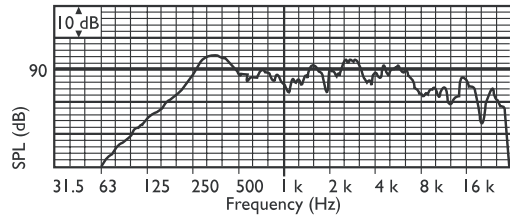
2 | LB1-BW12-x Bi-Directional Cabinet Loudspeaker



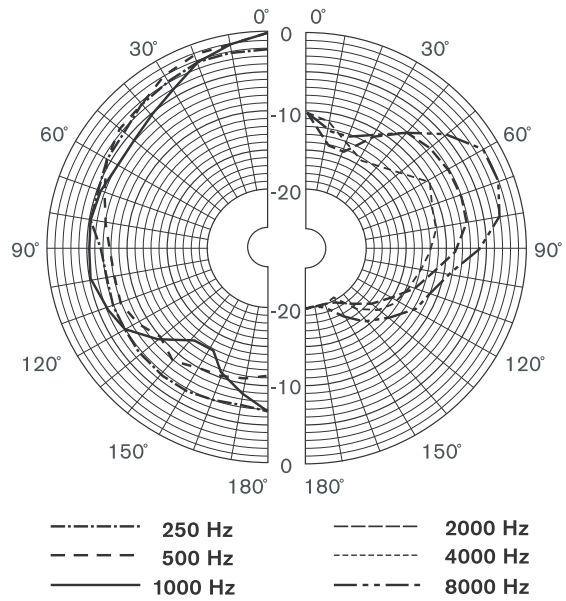
Dimensions in mm



Circuit diagram



Frequency response



Polar diagram (measured with pink noise)

Technical Specifications**Electrical***

Maximum Power	18 W
Rated Power	12 W (12-6-3 W)
Sound Pressure Level at Rated Power / 1 W (at 1 kHz, 1 m)	97 / 86 dB (SPL)
Effective Frequency Range (-10 dB)	140 Hz to 20 kHz
Opening Angle (at 1 kHz / 4 kHz, - 6 dB)	270° / 165°
Rated Input Voltage	100 V
Rated Impedance	833 ohm

Mechanical

Connection	4-pole push-in terminal block
Dimensions (H x W x D)	240 x 238 x 152 mm (9.4 x 9.3 x 5.9 inch)
Cabinet / Front	Matches RAL 9004 / RAL 9004 (D)
Cabinet / Front	Matches RAL 9010 / RAL 7044 (L)
Color	Black (D) or white (L)
Weight	1.5 kg

Environmental

Ambient Temperature	- 15° to + 55° C
---------------------	------------------

*) Technical performance data acc. to IEC 60268-5

Ordering Information**Model & Description**

LB1-BW12-D Bi-Directional Cabinet Loudspeaker 12 W, black
LB1-BW12-L Bi-Directional Cabinet Loudspeaker 12 W, white

Americas:

Bosch Security Systems
130 Perinton Parkway
Fairport, New York, 14450, USA
Phone:+1 585 223 4060
+1 800 289 0096
security.sales@us.bosch.com
<http://www.boschsecurity.us>

Europe, Middle East, Africa:

Bosch Security Systems B.V.
P.O. Box 80002
5600 JB Eindhoven, The Netherlands
Phone:+31 (0) 40 27 83955
Fax:+31 (0) 40 27 86668
emea.securitysystems@bosch.com
<http://www.boschsecurity.com>

Asia-Pacific:

Bosch Security Systems Pte Ltd
38C Jalan Pemimpin
Singapore 577180
Phone:+65 6319 3450
Fax:+65 6319 3499
apr.securitysystems@bosch.com
<http://www.boschsecurity.com>

BOSCH