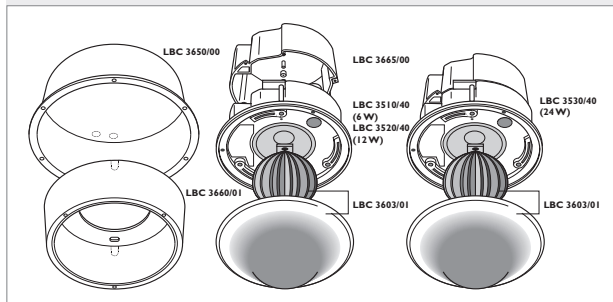


Model	Power	Impedance	Frequency	Dimensions (mm)	Weight (g)
LBC 3530/40	36 W	100 V	60 Hz to 20 kHz	255 mm (10.03 in)	550 g (1.21 lb)
LBC 3520/40	18 W	100 V	60 Hz to 20 kHz	292 x 98 mm	1.6 kg (3.52 lb)
LBC 3665/00	24 W (24 - 12 - 6 W)	105 dB/91 dB (SPL)		292 x 182.5 mm	833 Ω
LBC 3660/01	18 W	100 V	60 Hz to 20 kHz	292 x 98 mm	440 g (0.96 lb)
LBC 3603/01	9 W	100 V	60 Hz to 20 kHz	292 x 98 mm	440 g (0.96 lb)
LBC 3510/40	6 W (6 - 3 - 1.5 W)	98 dB/90 dB (SPL)		255 mm (10.03 in)	830 g (1.93 lb)
LBC 3650/00	360 x 112 mm	100 V	60 Hz to 20 kHz	255 mm (10.03 in)	2 kg (4.4 lb)

Model	Power	Impedance	Frequency	Dimensions (mm)	Weight (g)
LBC 3530/40	36 W	100 V	60 Hz to 20 kHz	255 mm (10.03 in)	550 g (1.21 lb)
LBC 3520/40	18 W	100 V	60 Hz to 20 kHz	292 x 98 mm	1.6 kg (3.52 lb)
LBC 3665/00	24 W (24 - 12 - 6 W)	105 dB/91 dB (SPL)		292 x 182.5 mm	833 Ω
LBC 3660/01	18 W	100 V	60 Hz to 20 kHz	292 x 98 mm	440 g (0.96 lb)
LBC 3603/01	9 W	100 V	60 Hz to 20 kHz	292 x 98 mm	440 g (0.96 lb)
LBC 3510/40	6 W (6 - 3 - 1.5 W)	98 dB/90 dB (SPL)		255 mm (10.03 in)	830 g (1.93 lb)
LBC 3650/00	360 x 112 mm	100 V	60 Hz to 20 kHz	255 mm (10.03 in)	2 kg (4.4 lb)

TECHNICAL PERFORMANCE DATA ACC. TO IEC 268-5

Loudspeakers



Security Systems

- Instructions for use
- EN LBC 3510/40
 - LBC 3520/40
 - LBC 3530/40
 - LBC 3603/01
 - LBC 3650/00
 - LBC 3660/01
 - LBC 3665/00