

LBC 3432/01 Uni-Directional Sound Projector



Security Systems



- Excellent speech and music reproduction
- Simple power setting
- Provision for supervision board mounting
- Suitable for loop-through cabling
- (Suspended) ceiling and/or wall mounting
- Robust aluminum extrusion enclosure
- Water and dust protected to IP 66
- BS 5839 part 8 compliant

Sound projectors are intended for applications, where directing the sound beam is desirable. Similar in concept to a spotlight, a sound projector can be used to provide localized sound reproduction

The Bosch LBC 3432/01 is a powerful 20 W sound projector intended for high-quality speech and (back ground) music reproduction in a wide range of in – and outdoor applications.

Functions

Voice alarm loudspeakers are specifically designed for use in buildings where performance of systems for verbal communication announcements is governed by regulations. The LBC 3432/01 is designed for use in voice alarm systems and is compliant with British Standard BS 5839 part 8.

The sound projector has provision inside for mounting an optional line/loudspeaker supervision board.

The loudspeaker has built-in protection to secure that, in the event of a fire, damage to the loudspeaker does not result in failure of the circuit to which it is connected. In this way, system integrity is maintained, ensuring loudspeakers in other areas can still be used to inform people of the situation. The loudspeaker has a ceramic terminal block, thermal fuse and heat resistant, high-temperature wiring.

The sound projector is constructed from extruded aluminum and finished in off- white. The front-grill and bracket are made from aluminum to increase corrosion resistance.

Parts Included

Quantity	Component
1	LBC 3432/01 Uni-Directional Sound Projector

BOSCH

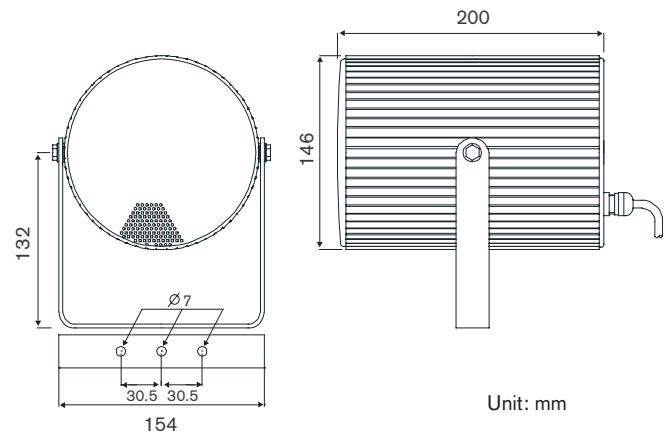
Certifications and Approvals

Quality assurance

All Bosch loudspeakers are designed to withstand operating at their rated power for 100 hours in accordance with IEC 268-5 Power Handling Capacity (PHC) standards. Bosch has also developed the Simulated Acoustical Feedback Exposure (SAFE) test to demonstrate that they can withstand two times their rated power for short durations. This ensures extra reliability under extreme conditions, leading to higher customer satisfaction, longer operating life, and much less chance of failure or performance deterioration.

Safety	EN 60065
EVAC compliant acc. to	BS 5839 part 8

Water-and Dust Protected acc. to IEC 60529 IP 66



Dimensions

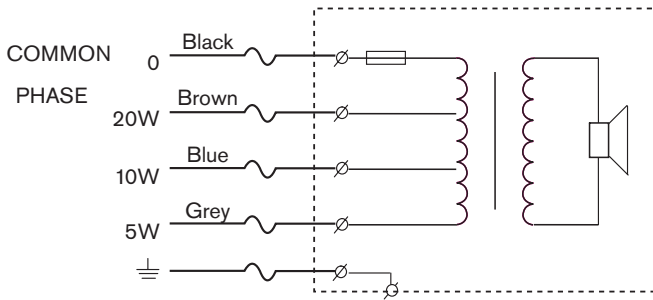
Installation/Configuration Notes

Mounting

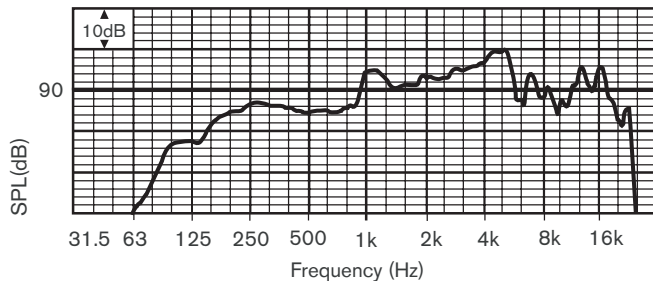
A sturdy aluminum mounting bracket is supplied to allow easy mounting and directing in virtually any position. The sound projector may also be suspended using the bracket.

Power Setting

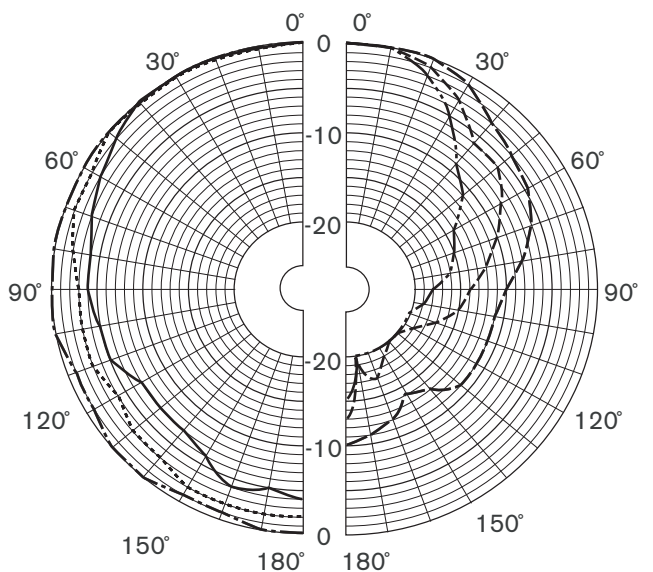
A one meter long fire-resistant five-core cable is standard fitted to the loudspeaker. Each core is a different color, and is connected to one of the primary taps on the transformer. For loop-through connection, the rear cover is fitted with a second entry hole. (covered as standard supplied)



Circuit diagram



Frequency response



- 250 Hz
- 500 Hz
- 1000 Hz
- 2000 Hz
- 4000 Hz
- 8000 Hz

Polar diagram

Technical Specifications

Electrical*

Maximum Power	30 W
Rated Power (PHC)	20 W (20-10-5 W)
Sound Pressure Level at 20 W / 1 W (at 1 kHz, 1 m)	105 / 92 dB (SPL)
Opening Angle (at 1 kHz / 4 kHz, -6 dB)	180° / 70°
Effective Frequency Range (-10 dB)	150 Hz to 20 kHz
Rated Input Voltage	100 V
Rated Impedance	500 ohm

Mechanical

Connection	1 m fire-resistant cable
Material	Aluminum
Dimensions (dia. x L)	146 x 200 mm (5.7 x 7.9 inch)
Color	White (RAL 9010)
Weight	2.6 kg (5.7 lb)

Environmental

Ambient Temperature	-25° C to +55° C
---------------------	------------------

*) Technical performance data acc. to IEC 60268-5

Ordering Information

Model & Description

LBC 3432/01 Uni-Directional Sound Projector
20 W, white (RAL 9010)

Americas:

Bosch Security Systems
130 Perinton Parkway
Fairport, New York, 14450, USA
Phone: +1 585 223 4060
+1 800 289 0096
security.sales@us.bosch.com
<http://www.boschsecurity.us>

Europe, Middle East, Africa:

Bosch Security Systems B.V.
P.O. Box 80002
5600 JB Eindhoven, The Netherlands
Phone: +31 (0) 40 27 83955
Fax: +31 (0) 40 27 86668
emea.securitysystems@bosch.com
<http://www.boschsecurity.com>

Asia-Pacific:

Bosch Security Systems Pte Ltd
38C Jalan Pemimpin
Singapore 577180
Phone: +65 6319 3450
Fax: +65 6319 3499
apr.securitysystems@bosch.com
<http://www.boschsecurity.com>

BOSCH