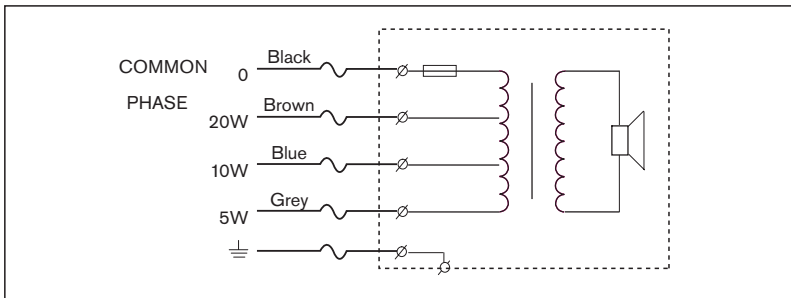
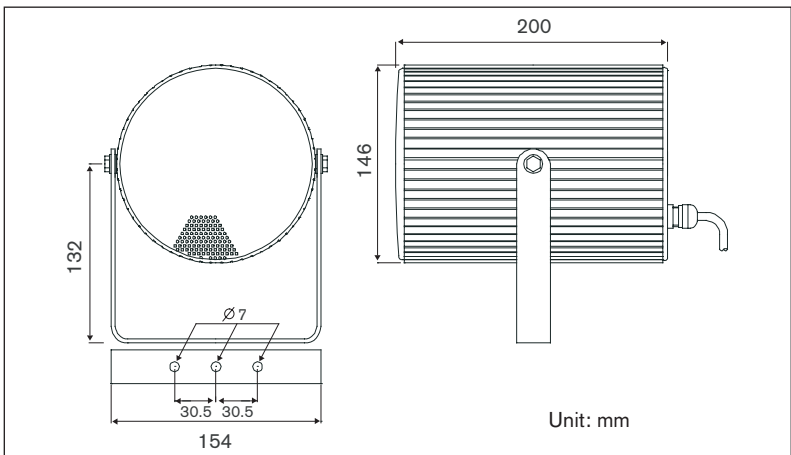


LBC 3432/01

Maximum power	30 W
Rated power	20 W (20-10-5 W)
Sound pressure level at rated power/1W (at 1kHz,1m)	92/105 dB (SPL)
Effective frequency range (-10 dB)	150 Hz to 20 kHz
Opening angle (at 1kHz/4kHz, -6dB)	180° / 70°
Rated input voltage	100 V
Rated impedance	500 Ω
Ambient temperature range	-25° C to +55° C
Water-and dust protected	acc. to IEC 60529 IP 66
Safety	acc. to EN 60065
Connection	1 m fire-resistant cable
Material	Aluminum
Colour	White RAL 9010
Weight	2.6 kg (5.73 lb)
Dimension	146 mm (5.75 in) dia. x 200 mm (7.87 in)



Circuit diagram



Dimensions

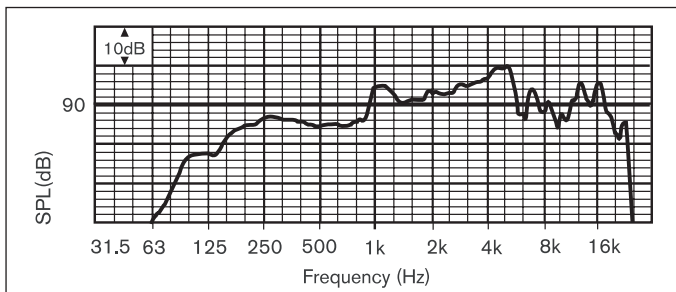
Metal Sound Projector



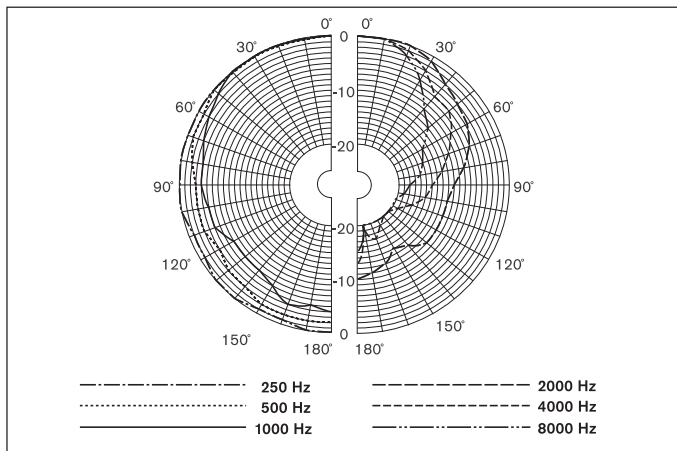
Security Systems

EN | Installation and User Instructions
LBC 3432/01

BOSCH



Frequency response



Polar diagram (measured with pink noise)

