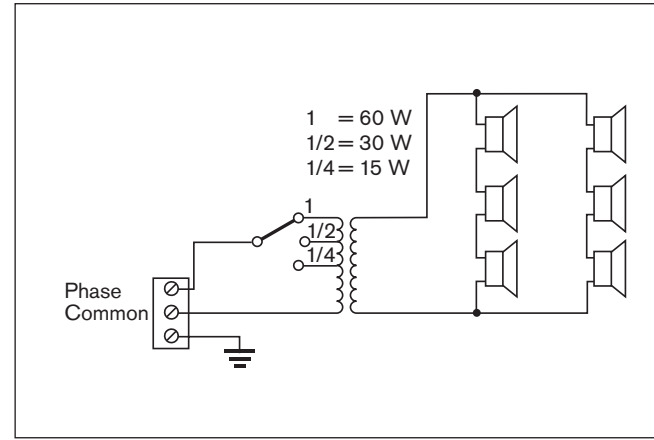
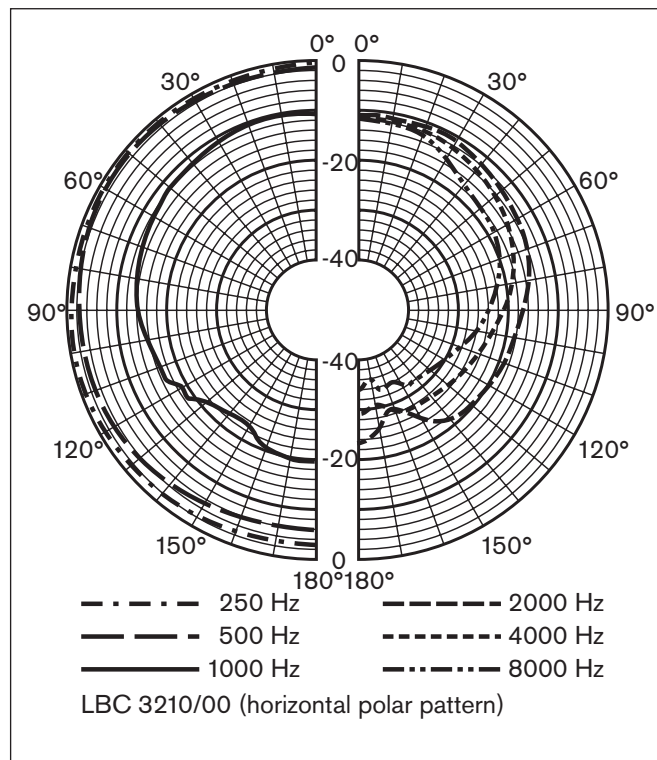


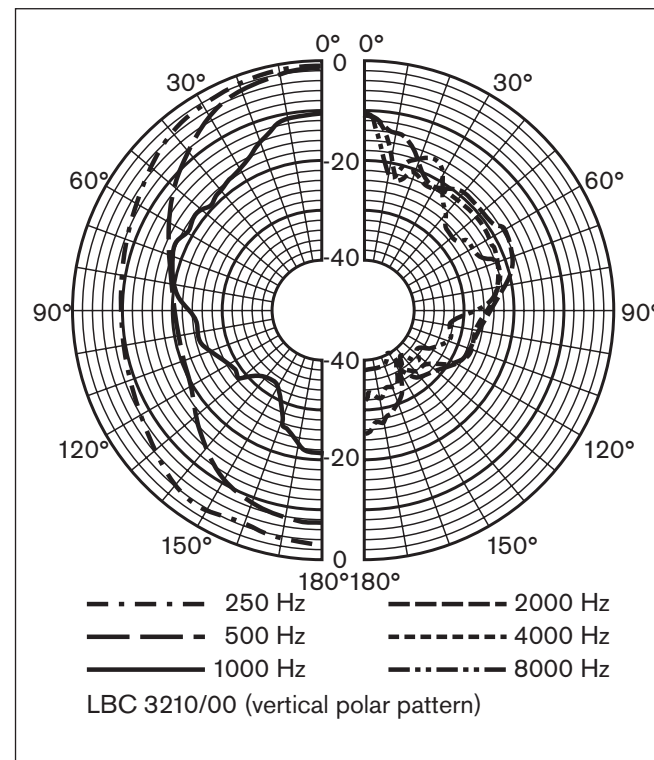
Frequency response



Circuit diagram



Polar diagram horizontal (measured with pink noise)



Polar diagram vertical (measured with pink noise)



XLA 3200 LBC 3210/00 60 W

- Extended listening area
- Excellent intelligibility of speech and music
- Uniform distribution of natural sound throughout the room
- Suitable for both indoor and outdoor use, ranging from sport stadiums to passenger terminals
- Ideal combination of advanced acoustics and easy application
- Powerful with high efficiency
- Voice evacuation compliant as standard

LBC 3210/00

This loudspeaker, with its excellent directivity and high power output, can handle large (reverberant) indoor environments like airport departure lounges, train stations and congress venues. It is also suitable for outdoor use, for instance in railway stations or sports stadiums. Its full frequency range makes it ideal for speech as well as music reproduction.

Acoustically advanced

The LBC 3210/00 is part of the XLA 3200 (eXtended Listening Area) range of line array loudspeakers. Advanced filtering and positioning of the loudspeaker drivers* has resulted in greatly improved audio directivity. Each speaker driver produces a dedicated frequency range.

The difference between a conventional column loudspeaker and this line array is noticeable in several ways. There is uniform sound distribution throughout the whole listening area: not too loud at the front, not too quiet at the back. All relevant frequencies are present everywhere in the listening area. Greater coverage is achieved, so more people can be reached with speech and music with a higher intelligibility level. All these important features will give the experience of a very natural sound quality in the whole listening area.

*patent pending

Larger and more constant opening angles

The advanced filtering generates larger vertical opening angles for high frequencies, so there is less narrow 'beaming' of higher tones. Compared to conventional column loudspeakers, this line array has a more constant opening angle for all relevant frequencies. As an example, at 4 kHz the vertical opening angle is still 17°. Having more constant vertical opening angles makes installation easier, as the positioning of the loudspeakers is less critical because they cover a wider area.

An excellent horizontal opening angle of 118° at 4 kHz means that a single loudspeaker can provide natural sound reproduction over an extensive listening area.

Suppressed acoustic side lobes

All conventional column loudspeakers produce a main lobe of sound, which is directed at listeners, and a number of unwanted side lobes. The LBC 3210/00 has highly suppressed side lobes in the vertical plane, typically at least 10 dB from the 250 Hz octave band at 90°, resulting in a much clearer, less 'colored' sound, even when close to the loudspeakers. This gives the line array loudspeaker superb intelligibility of both speech and music.

Greater efficiency

The positioning and very high quality of the 4-inch drivers contribute significantly in making the LBC 3210/00 a very efficient line array. With a sound pressure level of 115 dB at 1 m at 60 W, loud and clear sound reproduction is possible even at considerable distances from the loudspeaker.

Frequency response

The high-quality loudspeaker drivers used in the LBC 3210/00 give excellent, natural sound reproduction of frequencies ranging from 190 Hz to 20 kHz. Together with the constant directivity this ensures that all important frequencies are heard in the listening area.

Simplified and sturdy mounting

A time- and labour-saving mounting method has been developed for the LBC 3210/00. A chart is supplied with the loudspeaker, which shows the ideal installation height for the area the loudspeaker has to cover. Once the appropriate height has been determined for a given area, the loudspeaker is mounted at an angle marked on the mounting bracket. This simple two-step procedure is very much simpler and more accurate than traditional trial and error installation methods. The LBC 3210/00 can be mounted on a wall or directly onto a floorstand LBC 1259/00 with an M10 threaded bolt without additional accessories.

Simple power setting

A three-way ceramic terminal block with screw connections suitable for loop-through wiring is located in a compartment at the base of the loudspeaker column. There is also a switch which allows the selection of nominal full power (60 W), half power (30 W) or quarter power (15 W). The compartment has knock-out slots for accommodating cables.

Safety and evacuation compliant

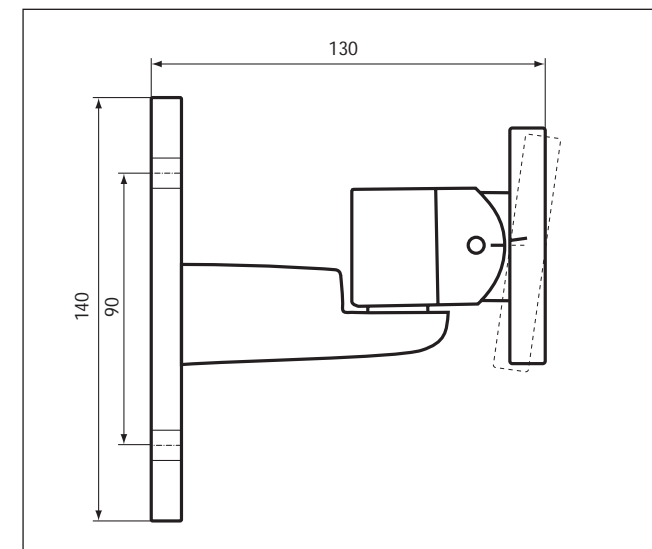
In common with all Bosch Security Systems products, the LBC 3210/00 meets high safety standards. It complies with EN 60065, and is CE approved. It is also fully voice evacuation compliant (EVAC) according to BS 5839 part 8 and IEC 60849.

The loudspeakers ceramic terminal block, thermal fuse and heat-resistant, high-temperature wiring, ensure that, in the event of a fire, damage to the loudspeaker does not result in failure of the circuit to which it is connected. In this way, system integrity is maintained, ensuring loudspeakers in other areas within the same loudspeaker zone can still be used to inform people of the situation.

Quality assurance

All Bosch loudspeakers are designed to withstand operation at their rated power for 100 hours in accordance with IEC 268-5 Power Handling Capacity (PHC) standards. These loudspeakers also comply with the Simulated Acoustical Feedback Exposure (SAFE) test, which demonstrates that they can withstand acoustical feedback at full power for short durations. This ensures extra reliability under extreme conditions, leading to higher customer satisfaction, longer operating life and much less chance of failure or performance deterioration.

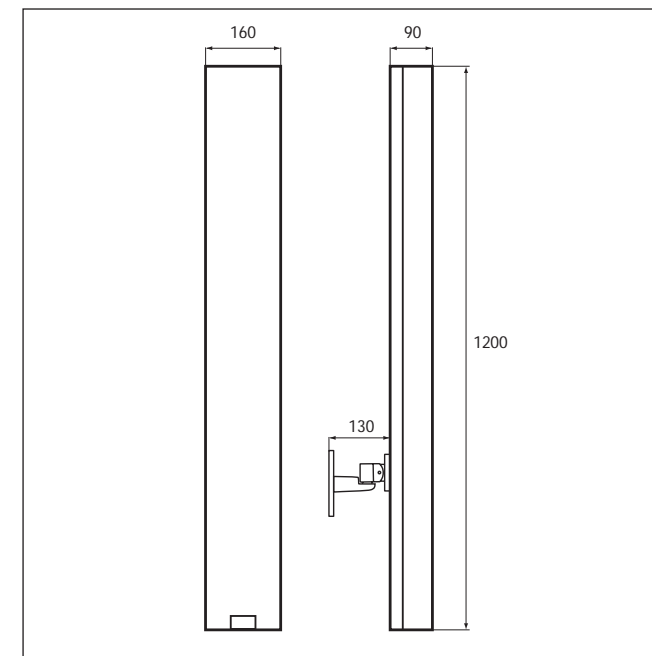
Technical performance data	
Maximum power	90 W
Rated power	60 W (60-30-15 W)
Sound pressure level at 60 W/1 W (at 1 kHz, 1 m)	115 dB/97 dB (SPL)
Effective frequency range (-10 dB)	190 Hz to 20 kHz
Opening angle (at 1 kHz / 4 kHz, - 6 dB)	
Horizontal	180°/118°
Vertical	50°/17°
Rated input voltage	100 V
Rated impedance	167 ohm
Ambient temperature range	-25°C to +55°C
Safety	according to EN 60065.
Water/dust protection	IP 66 according to IEC 60529
Ball proof	according to DIN 18032-3
Connection	screw terminal block
Dimensions (H x W x D)	1200 x 160 x 90 mm
Colour	silver
Weight	9 kg



Mounting bracket (included) with marked angle. Dimensions (in mm)



Detail mounting bracket



Dimensions (in mm)



Mounted on optional loudspeaker stand (LBC 1259/00)